

MedaMorph

Alberto Meda, 2006



MedaMorph

MedaMorph was developed in collaboration with Alberto Meda, whose engineering background is evident in the form and function of this prestigious conference table system. The simple yet refined base, consisting of star connectors, profiles of variable length and two types of legs, offers a construction kit of modular options. In addition to configurable visitor, meeting and conference tables, the MedaMorph Collection makes it possible to create table groupings in any size and shape. The free Vitra Configuration System (VCS)

planning software features automated pricing along with product logic and a visualisation tool. After selection of the table's shape, size, top surface and the number of seats, VCS calculates and displays the required profiles, star connectors, table tops and legs. Each of these parameters can be varied in the product logic. Upon request, Vitra can provide data for integration in OFML-compatible third-party software. New data updates are available for download several times a year.



Alberto Meda

Alberto Meda lives and works in Milan. He teaches at IUAV University of Venice and lectures at leading design colleges and institutions. He has worked together with Vitra since 1994. During this time, his elegant designs for office chairs and a variety of tables have made a significant

contribution to the success of Vitra's Office Collection.

1	MedaMorph
2-3	Configurations
4-6	Table shapes

7	Table tops
8	Dimensions
9	Tables: surfaces and colours

10-11	Bases
12-13	Electrification
14	Bases: dimensions, surfaces and colours



Round visitor table, Ø 120 cm, seats 4, chairs: Softshell Chair



Rectangular meeting table, 240 x 90 cm, seats 6, chairs: HAL Ply Wood



Round conference table, Ø 140 cm, seats 4-6, chairs: MedaSlim



Boat-shaped conference table, 200 x 100 cm, seats 6, chairs: ID Trim



Boat-shaped conference table, 380 x 130 cm, seats 10, chairs: AC 4 Conference



Freeform triangular table, especially suited for video conferences, seats 6-9, chairs: Meda Conference

TABLE SHAPES

vitra.





MedaMorph tables

In addition to the configurable visitor, meeting and conference tables available in the prestigious MedaMorph Collection, the system's ingenious modular base components allow the creation of elegant table arrangements of any shape and size.



MedaMorph visitor tables

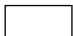


Designed by Alberto Meda, MedaMorph is an elegant and prestigious table system. The collection includes round visitor tables, which are available in a choice of different sizes and high-quality table tops.

-  Ø 1000 mm
seats 3
-  Ø 1200 mm
seats 4
-  Ø 1400 mm
seats 4-6
-  Ø 1600 mm
seats 6-8



MedaMorph meeting tables




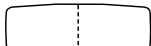
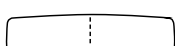
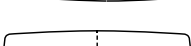
Developed by Alberto Meda, MedaMorph is a prestigious and versatile table system. Its elegant rectangular meeting tables are available in a choice of different sizes and surfaces.

-  1600 x 800 mm
seats 2
-  1800 x 900 mm
seats 4
-  2400 x 900 mm
seats 6



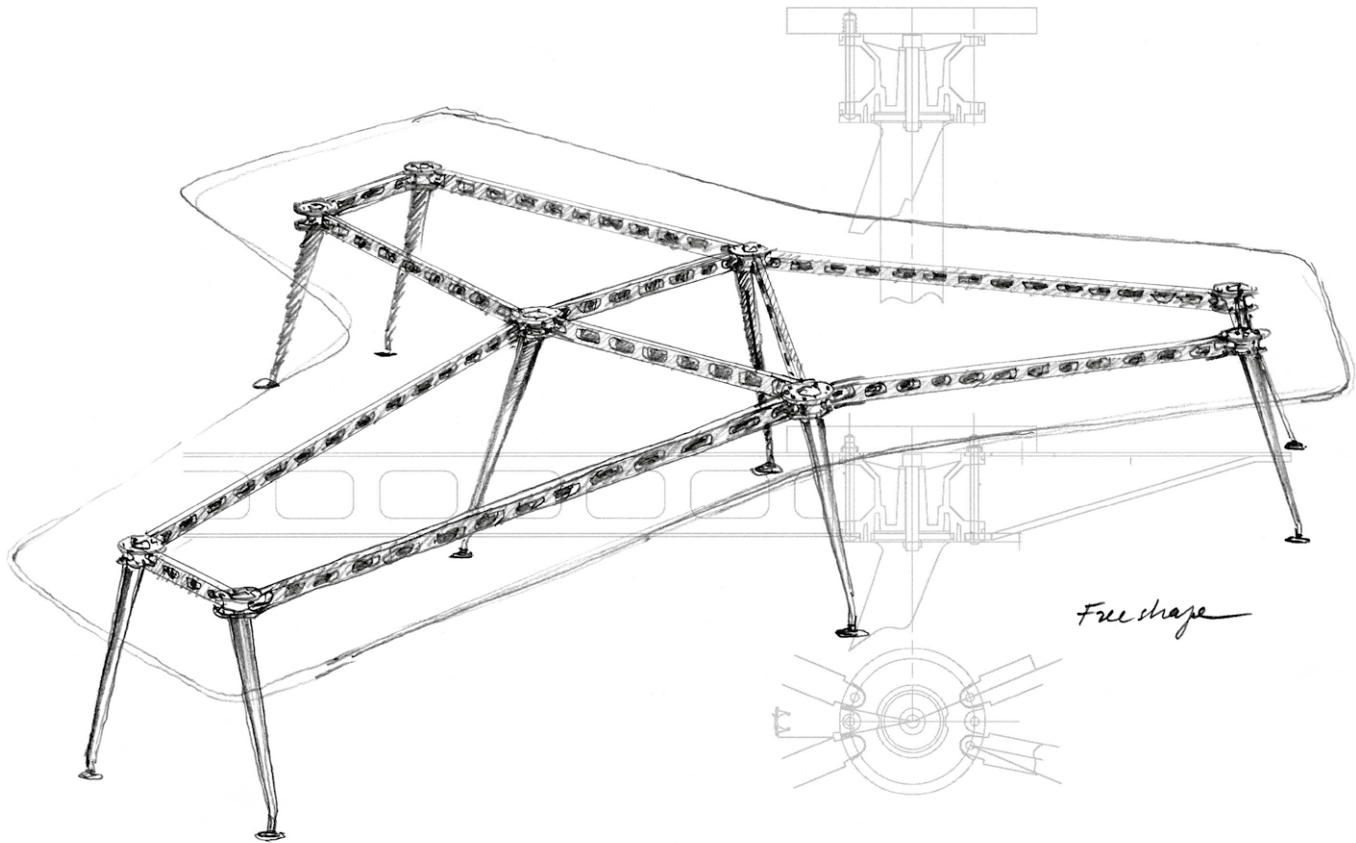
MedaMorph conference tables

MedaMorph is a prestigious table system, which includes conference tables in two designs, round or boat-shaped, with optional power and data connections. Thanks to their size (up to 5 m long for the boat-shaped version), layout and high-quality material, they offer the ideal setting for prominent meetings of up to 14 people.

	2000 x 1000 mm seats 6
	2600 x 1200 mm seats 8
	3200 x 1300 mm seats 8-10
	3800 x 1300 mm seats 10
	4400 x 1400 mm seats 10-12
	5000 x 1400 mm seats 14

MedaMorph customised configurations

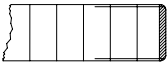
The prestigious MedaMorph table system makes it possible to create literally any table shape desired by the customer. Thanks to the structure of the base, the number of table legs can be reduced to a minimum and their flexible positioning allows for ample legroom.



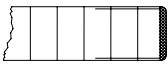
MedaMorph: any shape, any size

In addition to the standard configurations, the flexible base system of MedaMorph makes it possible to create tables of any shape or size. For customer-specific table units, the following planning criteria are required:

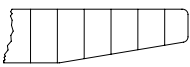
- room size, possibly including plan
- desired table shape and size
- table top surface
- number of seats
- number of power and data connections
- type of electrification: table-top unit, under-table unit



Melamine top in soft light
with ABS edge, table thickness 25 mm.



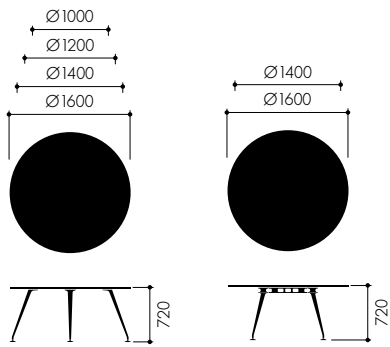
Oak or walnut veneer top
with real wood edge, table thickness 25 mm.
Other wood veneers available upon request.



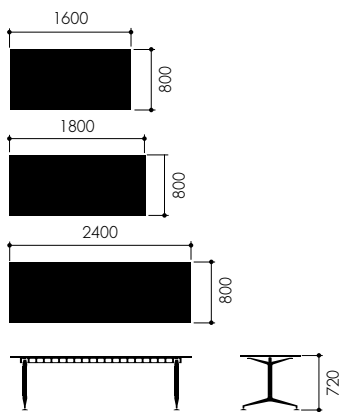
Powder-coated MDF top in soft white
with 15 mm chamfered edge, table thickness 25 mm.

DIMENSIONS

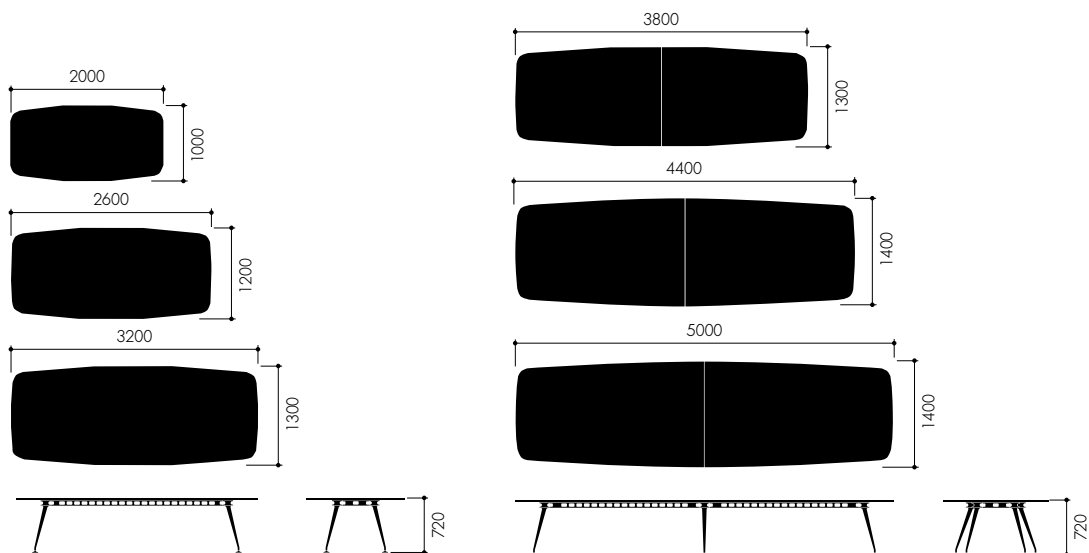
vitra.



Round tables



Rectangular tables



Boat-shaped tables

SURFACES AND COLOURS

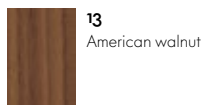
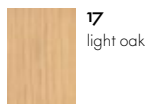


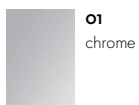
Table top

.....



Base

.....



T-section legs

.....



Single leg

T-section legs with central profile



System legs with star connectors and profiles



Freeform table, system legs with star connectors and profiles



Freeform table, system legs with star connectors and profiles



Freeform table, system legs with star connectors and profiles

The cabling options for MedaMorph tables are as flexible as the furniture system itself. Specific solutions are available for various table surfaces and the desired number of power and data outlets.



Electrification examples*

- | | |
|--------------------------|------------------|
| 1 Aletta with cable tray | 6 Cable channel |
| 2 Flap | 7 Cable clip |
| 3 Current Rotax | 8 Edge protector |
| 4 Tens Turn | 9 Cable chain |
| 5 Tens More outlet | 10 Cable basket |

For further information regarding electrification or customer-specific solutions, please contact your Vitra sales representative.

*** Please observe local electrical regulations!**



Aletta
Electrification flap for powder-coated or veneer table tops



Current Rotax
Built-in outlet suitable for all table tops



Flap
Electrification flap for melamine table tops



Tens Turn
Built-in outlet suitable for all table tops



Cable channel



Cable clip

DIMENSIONS BASES

vitra.



Single legs



T-section legs with central profile



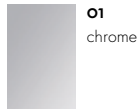
System legs

SURFACES AND COLOURS



03
aluminium
polished

Base



01
chrome

T-section legs



The VCS (Vitra Configuration System) contains the entire product knowledge of the Vitra products and supports you when drawing up plans and quotations. Available from your Vitra retail partner or at vcs@vitra.com.

You can find planning data, further information and images on the Vitra Extranet for Architects: www.vitra.com/extranet. For a binding colour specification please order the Vitra colour and material samples box.